

EL[®]MARK

The Brand of Electricity

LED TRACK LIGHTS

SKY TL5030



TECHNICAL SPECIFICATION

INDOOR- SPOTLIGHTS

ELMARK[®]

The Brand of Electricity

Technical data:

- Rated voltage: 230V/ 50-60Hz
- Power: 30W
- Power supply: Control gear; DC device- driver, included in the set
- Colour temperature: 2700K; 4000K; 6400K
- LED source: Epistar Taiwan
- Type of LED: COB
- Colour: White; Black; Grey
- Body: Aluminium
- Beam angle: 36°
- Colour rendering index: Ra≥80
- Switch on/off: >20 000
- Long life: 30 000h
- Protection against dust and moisture: IP40

Features:

- Completely replace traditional lighting fixtures
- Pleasant and uniform light distribution
- Low power consumption
- Repeated switch on/off does not affect the lifespan
- Instant light with maximum luminous flux
- Environmentally friendly - no mercury and lead
- No ultraviolet and infrared rays
- Resistant to shock and vibration-free body
- Low heat emission

TECHNICAL SPECIFICATION

INDOOR- SPOTLIGHTS

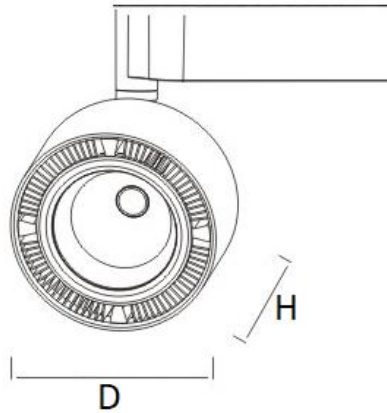
ELMARK[®]

The Brand of Electricity

Area of application:

- Commercial sites
- Administrative buildings
- Banks
- Hospitals
- Schools
- Entertainment and leisure spots

Variants and Dimensions:



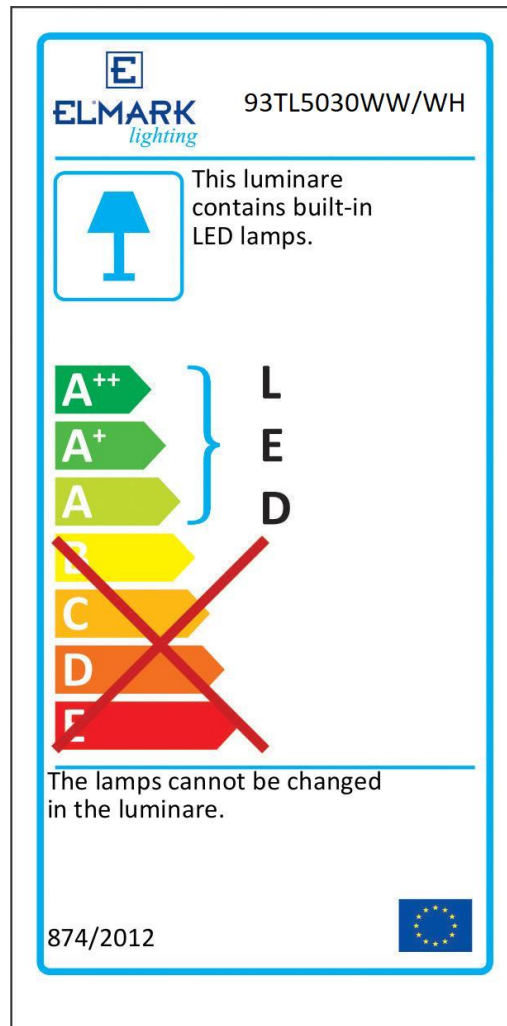
Watt	Whole fixture lumens	Colour temp.	Size (mm)		Beam angle	Colour body	Catalogue number
(W)	(lm)		Diameter	Height			
30	2700	4000	93	125	36°	White	93TL5030W/WH
30	2700	2700	93	125	36°	White	93TL5030WW/WH
30	2700	6400	93	125	36°	White	93TL5030CW/WH
30	2700	4000	93	125	36°	Black	93TL5030W/BL
30	2700	2700	93	125	36°	Black	93TL5030WW/BL
30	2700	6400	93	125	36°	Black	93TL5030CW/BL
30	2700	4000	93	125	36°	Grey	93TL5030W/GR
30	2700	2700	93	125	36°	Grey	93TL5030WW/GR
30	2700	6400	93	125	36°	Grey	93TL5030CW/GR

TECHNICAL SPECIFICATION

INDOOR- SPOTLIGHTS

ELMARK[®]

The Brand of Electricity



EN 55015 • EN 61000-3-2 • EN 61000-3-3 • EN 61547 • EN 60598-1 • EN 60598-2-2 • EN 61347-1 • EN 61347-2-13 • EN 13032-4

